

DIMENSIONS

The dimensions presented in the table are indicative and they are applicable in the designated class.
The values are mean for the process of manufacture.

DIMENSION (MM) FOR CLASS SN4* BY ISO 9969

*SN4 is a pipe class for light and medium traffic load.

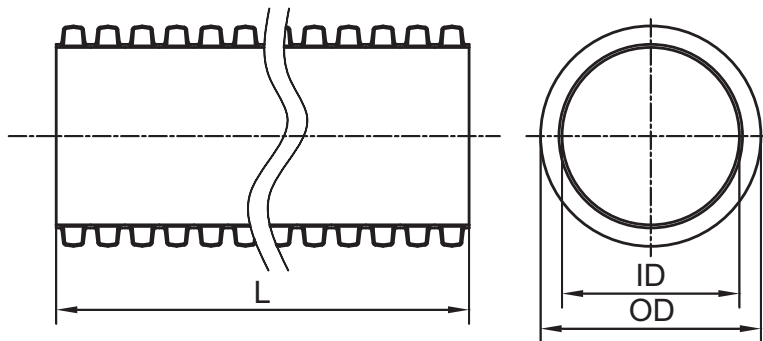


TABLE – OD/SN4

DN (mm)	OD (mm)	ID (mm)	E4 (mm)	E5 (mm)	H (mm)	P (mm)
110	110	95	1	1	7.5	10.5
125	125	108	1.1	1	8.5	12.5
140	140	123	1.1	1	8.5	14
160	160	140	1.2	1	10.0	17.5
200	200	178	1.4	1.1	11.0	22.5
250	250	216	1.7	1.4	17.0	26.5
315	315	271	1.9	1.6	22.0	34
400	400	346	2.3	2	27.0	49.5
500	500	432	2.8	2.8	34.0	57
630	630	544	3.3	3.3	43.0	68.5
800	800	690	4.4	4.1	55.0	105
1000	1000	861	6.5	5	70.0	125

DIMENSION (MM) FOR CLASS SN8* BY ISO 9969

*SN8 is a pipe class for heavy traffic load.

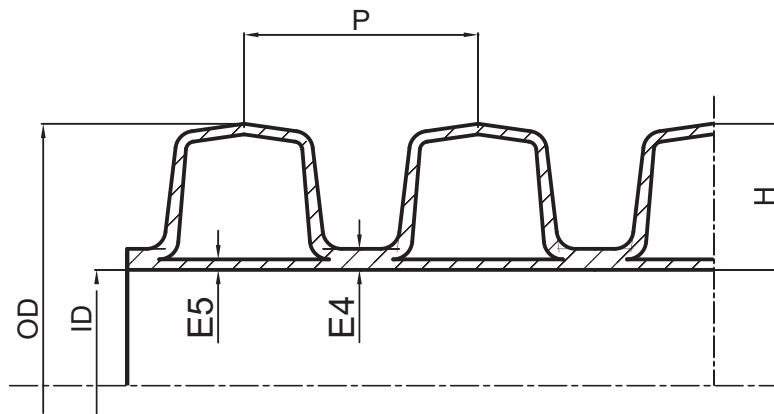


TABLE – OD/SN8

DN (mm)	OD (mm)	ID (mm)	E4 (mm)	E5 (mm)	H (mm)	P (mm)
110	110	95	1	1	7.5	10.5
125	125	108	1.1	1.1	8.5	12.5
140	140	123	1.1	1.1	8.5	14
160	160	140	1.4	1.1	10.0	17.5
200	200	171	1.6	1.2	14.5	23.5
250	250	216	1.9	1.5	17.0	26.5
315	315	271	2.1	1.7	22.0	34
400	400	346	2.4	2.1	27.0	49.5
500	500	432	3	2.8	34.0	57
630	630	544	3.5	3.5	43.0	68.5
800	800	690	4.6	4.4	55.0	105
1000	1000	860	6.5	5	70.0	125

DIMENSION (MM) FOR CLASS SN10* BY ISO 9969

*SN10 is a pipe class for heavy traffic load.

TABLE – OD/SN10						
DN (mm)	OD (mm)	ID (mm)	E4 (mm)	E5 (mm)	H (mm)	P (mm)
110	110	95	1	1	7.5	10.5
125	125	108	1.1	1.1	8.5	12.5
140	140	123	1.1	1.1	8.5	14
160	160	140	1.4	1.1	10.0	17.5
200	200	171	1.6	1.2	14.5	23.5
250	250	216	1.9	1.5	17.0	26.5
315	315	271	2.1	1.7	22.0	34
400	400	346	2.4	2.1	27.0	49.5
500	500	432	3.4	2.8	34.0	57
630	630	544	3.8	3.5	43.0	68.5
800	800	690	4.6	4.4	55.0	105
1000	1000	860	5	5	70.0	125

DIMENSION (MM) FOR CLASS SN12* BY ISO 9969

*SN12 is a pipe class for heavy traffic load.

TABLE – OD/SN12						
DN (mm)	OD (mm)	ID (mm)	E4 (mm)	E5 (mm)	H (mm)	P (mm)
110	110	95	1	1	7.5	10.5
125	125	108	1.1	1.1	8.5	12.5
140	140	123	1.1	1.1	8.5	14.0
160	160	140	1.6	1.1	10.0	17.5
200	200	171	1.8	1.2	14.5	23.5
250	250	216	2	1.5	17.0	26.5
315	315	271	2.4	1.7	22.0	34
400	400	346	2.7	2.2	27.0	49.5
500	500	432	3.8	2.8	34.0	57
630	630	544	4.1	3.6	43.0	68.5
800	800	690	4.8	4.5	55.0	105
1000	1000	860	5	5	70.0	125

DIMENSION (MM) FOR CLASS SN16* BY ISO 9969

*SN16 is a pipe class for heavy traffic load.

TABLE – OD/SN16

DN (mm)	OD (mm)	ID (mm)	E4 (mm)	E5 (mm)	H (mm)	P (mm)
110	110	95	1	1	7.5	10.5
125	125	108	1.1	1.3	8.5	12.5
140	140	123	1.2	1.1	8.5	14
160	160	139	1.7	1.1	10.0	17.5
200	200	171	2	1.3	14.5	23.5
250	250	214	2.2	1.6	17.0	26.5
315	315	270	2.9	1.8	22.0	34
400	400	345	3	2.3	27.0	49.5
500	500	430	4.3	2.8	34.0	57
630	630	544	4.7	3.7	43.0	68.5
800	800	688	5	4.6	55.0	105
1000	998	857	5	5	70.0	125

